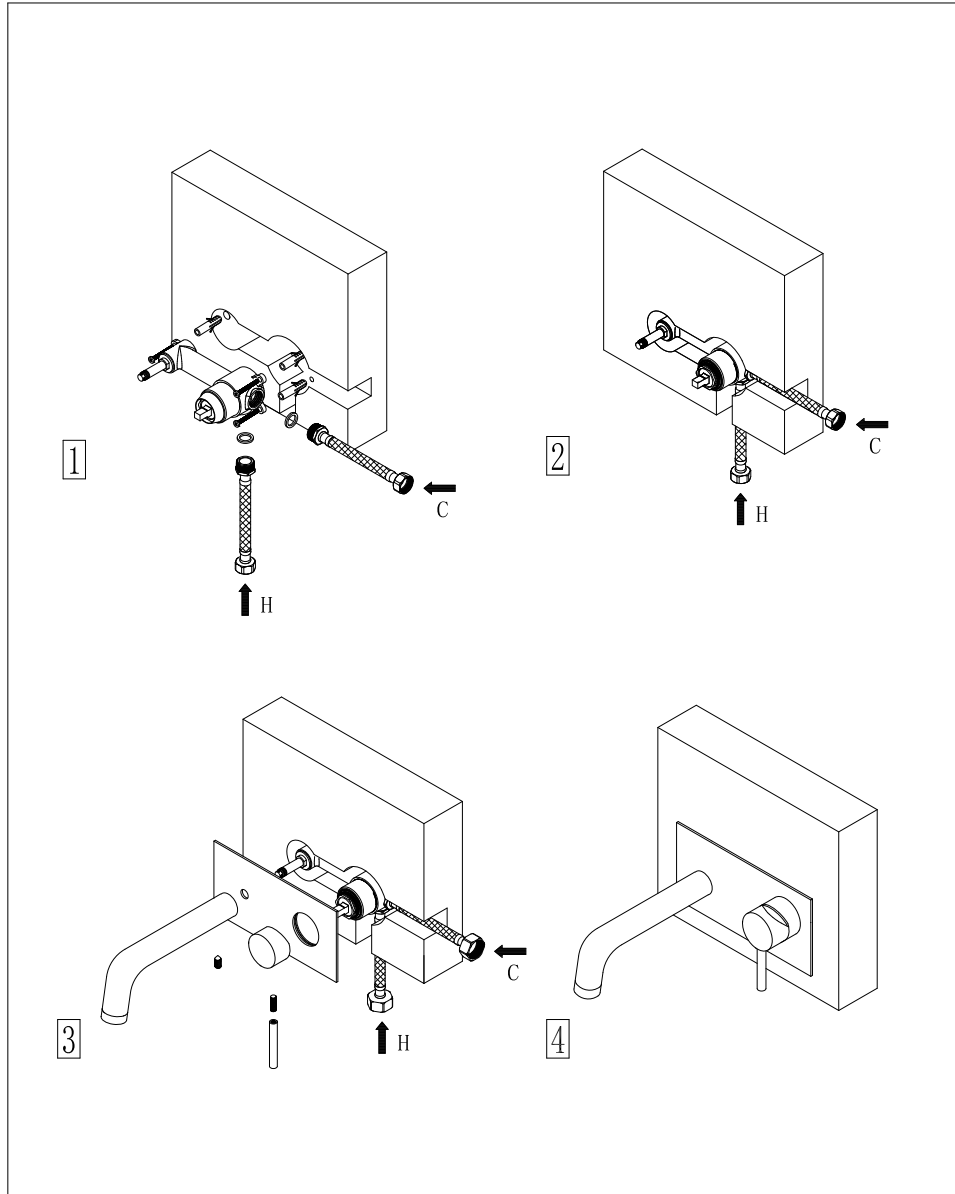


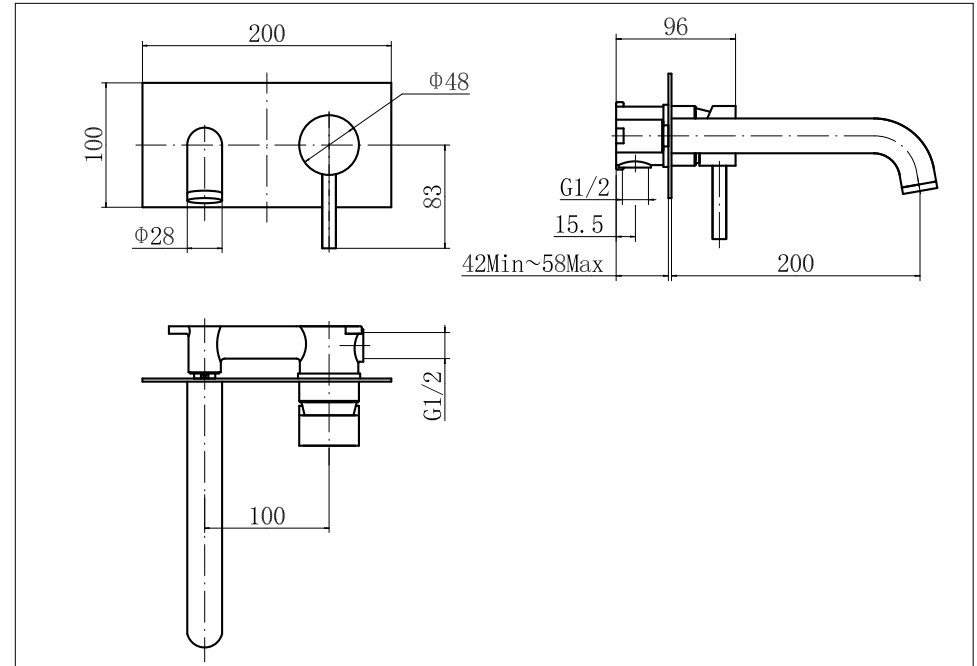
S9 WALL MOUNTED BATH FILLER

Art NO: BeBa-26722

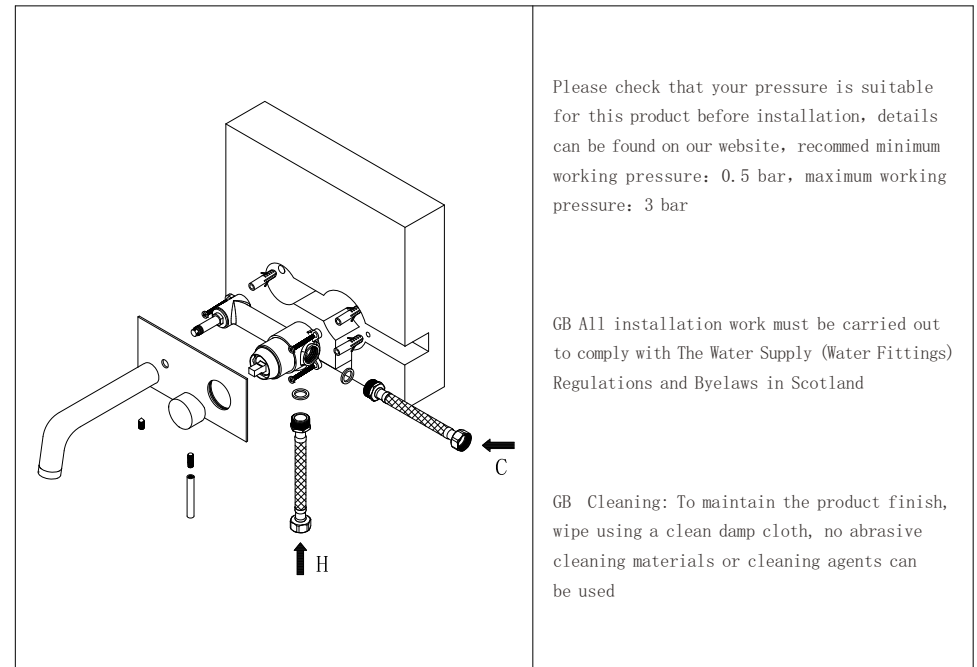
Installation



Technique drawing



Explosion drawing



Please check that your pressure is suitable for this product before installation, details can be found on our website, recommended minimum working pressure: 0.5 bar, maximum working pressure: 3 bar

GB All installation work must be carried out to comply with The Water Supply (Water Fittings) Regulations and Byelaws in Scotland

GB Cleaning: To maintain the product finish, wipe using a clean damp cloth, no abrasive cleaning materials or cleaning agents can be used